

# Twin Disc - AP Style

Standard Power Take-Offs

with **12"** Spring Loaded

Foley Engines

Shipping Address:  
200 Summer Street

Worcester, MA 01604

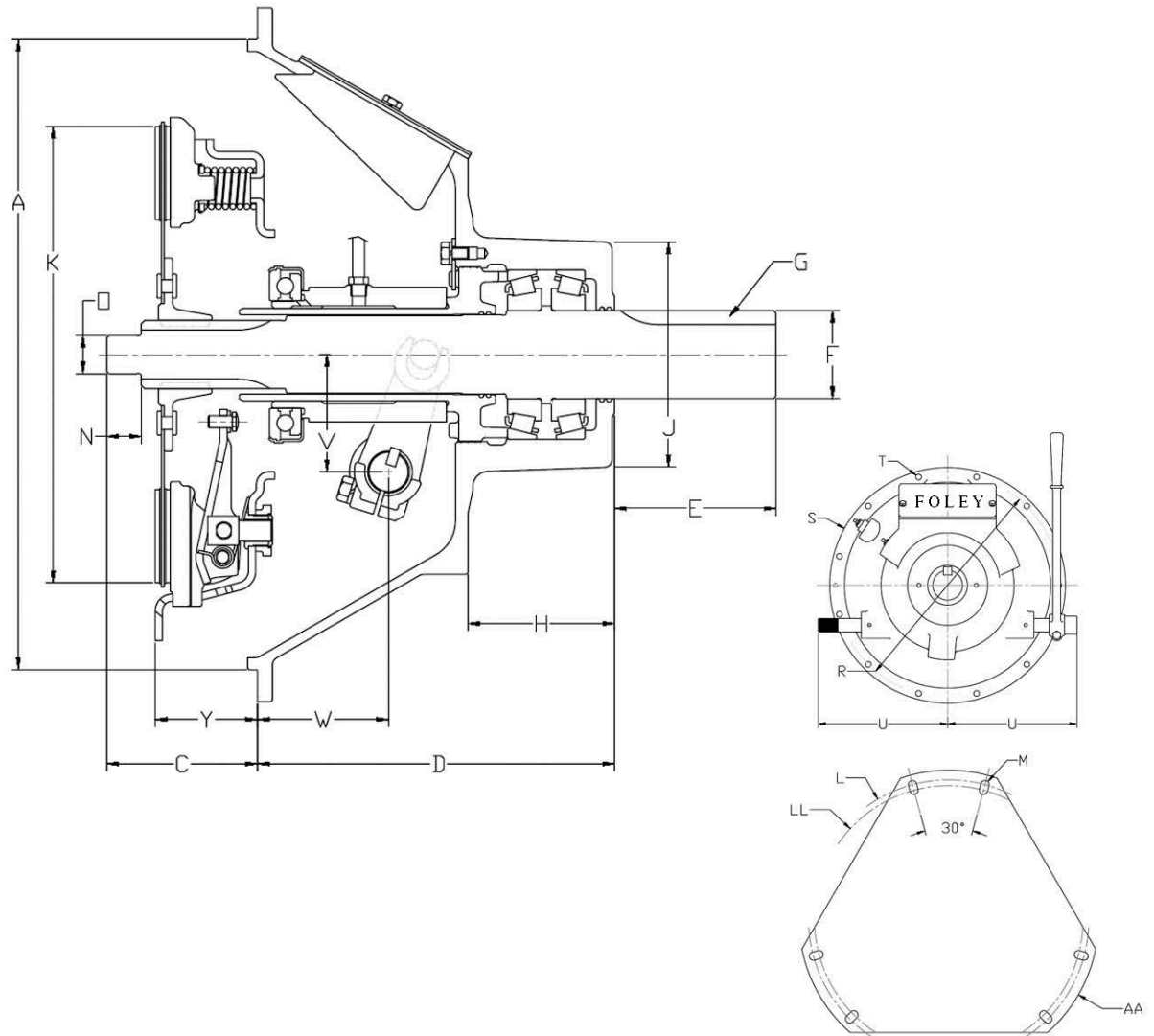
Phone:  
(508) 753-2979  
(800) 233-6539

Fax:  
+1 (508) 831-7133

Email:  
info@foleyengines.com

<https://www.foleyengines.com>

Manufacturers names, symbols and numbers are for reference purposes only and do not imply manufacturing origin.



PTO Part Number	Ball or Tapered Roller Brng Type	Model			Application (in-line or side loaded)	Type of Facing	Type Release Bearing	Clutch Torque Capacity lb. Ft *	A	C	D	Shaft		
		SAE Hsg Size	Clutch Size	Qty. of Facings								E Length	F Dia. + .000-.001	G Keyway
437418FO	Tapered	3	12"	1	Both	Metallic	Ball	1150	16.125	3.86	9.25	4.00	2.250	5/8 x 5/16
438250FO	Tapered	3	12"	1	Both	Metallic	Ball	1150	16.125	3.86	9.25	4.00	2.250	5/8 x 5/16

H	J	K	L Multi	LL Multi	M (holes)		AA	N	O	R	S	T (holes)		U	V	W	Y
					Qty.	Dia.						Qty.	Dia.				
3.75	6.00	11.89	13.875	13.500	6	.406	14.625	.88	.984	16.875	17.75	12	.433	9.75	3.00	3.35	2.62
3.75	6.00	11.89	13.875	13.500	6	.406	14.625	.88	.984	16.875	17.75	12	.433	9.75	3.00	3.35	2.62

**Allowable Side Load Pulls:**

The following formula can be used to calculate applied side load. Loads are calculated on proper tensioning of belts. If belts are tightened excessively, the resulting side load can exceed these limits

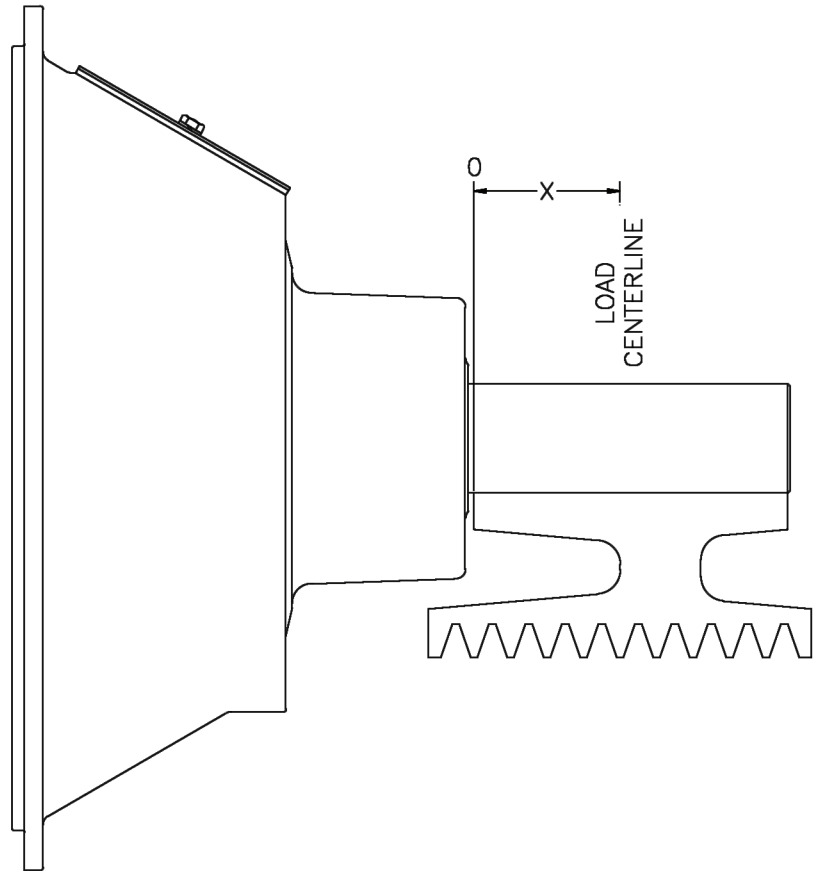
$$L = \frac{126000 \times H.P.}{N \times D} \times F \times A$$

- L** = Actual Applied Load (lbs.)
- N** = Shaft Speed (rev./min.)
- D** = Pitch Diameter of Sheaves, etc. (in.)
- F** = Load Factor (see below)
  - 1.0 for chain
  - 2.5 for V belt drive
  - 3.5 for flat belt drive
- A** = 1.0 for low & moderate duty drives
  - 1.4 for severe duty shock loads or large inertia loads (reciprocating compressors, crusher, chippers, planers, etc.)

**Required Clutch Torque Capacity Calculation:**

Required Clutch Torque = Maximum Engine Torque x Service Factor

- Blower or Vacuum**
- Centrifugal with free flow of air ..... 1.7
  - With high start-up inertia or subject to choking of air supply ..... 4.0
- Compressors**
- Reciprocating, 1 or 2 cylinders ..... 4.0
  - Reciprocating, 3 or more cylinders ..... 2.5
  - Roto screw or turbine ..... 2.0
- Conveyor**
- Fed uniformly ..... 1.5
  - Not fed uniformly ..... 2.0
  - Reciprocating ..... 3.0
- Drills** ..... 2.0
- Generator** ..... 2.0
- Pump**
- Centrifugal or turbine ..... 1.5
  - Dredge ..... 2.0
  - Mud or reciprocating ..... 3.0
- Rock Crusher, Hammer** ..... 3.0
- Mill Snow Blower** ..... 2.0
- Wood Chipper, Saw Mill** ..... 3.0



Allowable Side Load (LBS) pull for part numbers 438250FO & 437418FO								
RPM	X" Distance							
	0"	1"	2"	3"	4"	5"	6"	7"
1600	3125	2025	1515	1205	1000	850	740	660
1900	3005	1950	1455	1158	960	815	713	635
2200	2885	1875	1395	1111	920	780	686	610
2500	2765	1800	1335	1064	880	745	659	585
2800	2645	1725	1275	1017	840	710	632	560
3100	2525	1650	1215	970	800	675	605	535

Manufacturers names, symbols and numbers are for reference purposes only and do not imply manufacturing origin.